

product manual

# MINI↑PRO

TOTAL PROTECTION

Intelligent Instrument Protective Case

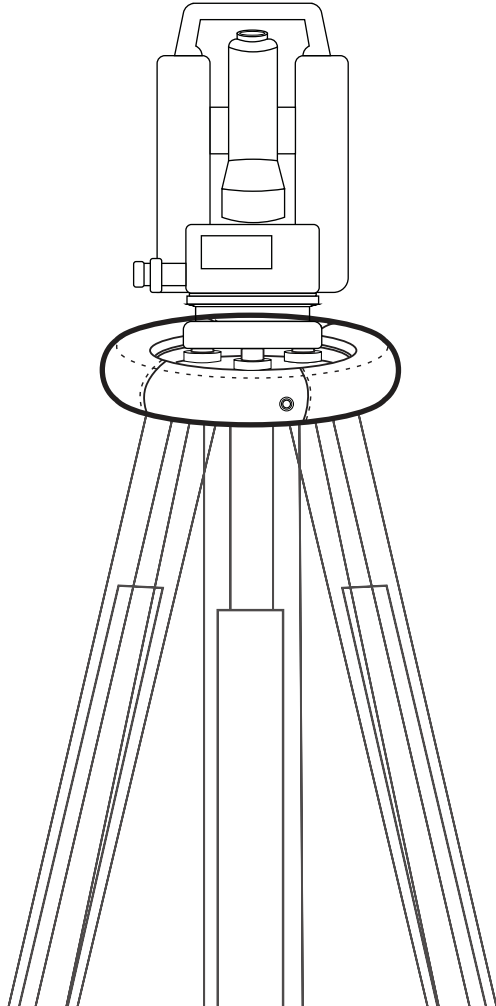
Developed and Designed by Sicher  
All rights reserved by Sicher Building Model Makers LLC  
[www.sicher-protections.com](http://www.sicher-protections.com)  
[office@sicher-protections.com](mailto:office@sicher-protections.com)



**SICHER**  
PROTECTIONS LTD.

## INDEX

1.....	Product Parameter
2.....	Technical Description
3.....	Technical Description
4.....	Power supply instructions
5.....	Signal Indication
6.....	SICHER Mini Pro Error
7.....	Codes Application Instrument Type



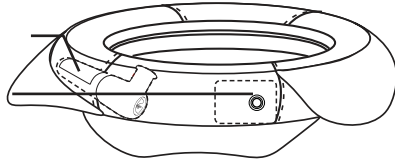
Electrical Specification: 2pcs 18650 Battery 3.7V @  
3500mAh Operating Voltage: 3.7V Operating Current Stand  
by : <100mA Normal Operating Current: 300-250mA Pulse  
Current: 2000mA @4-2ms

• Basic structure

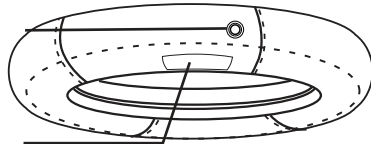
Airbag area



Air cylinder module

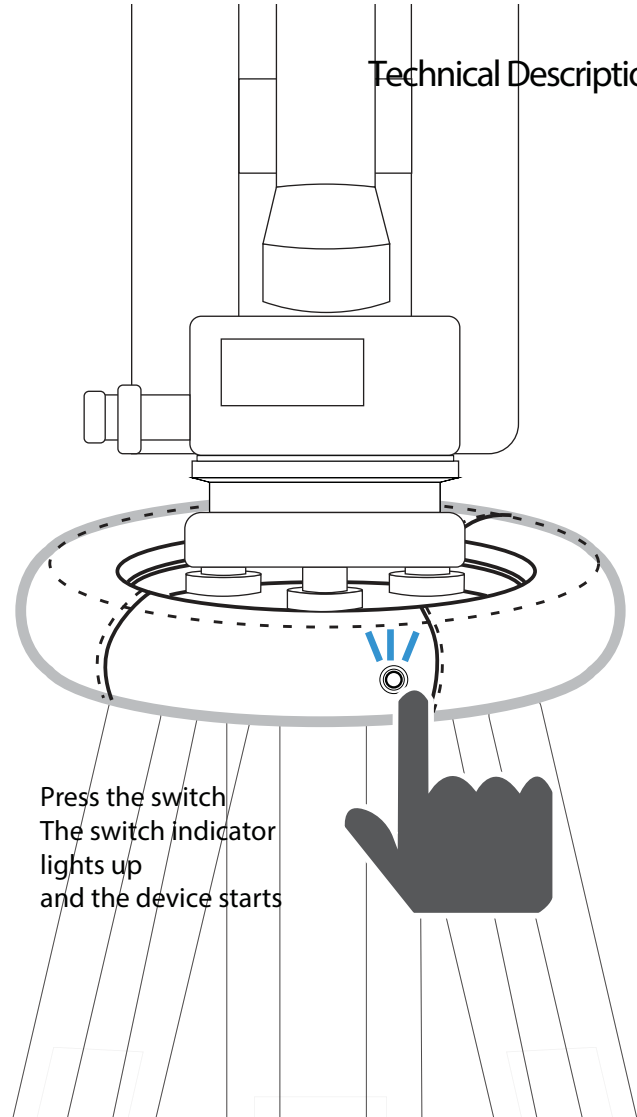


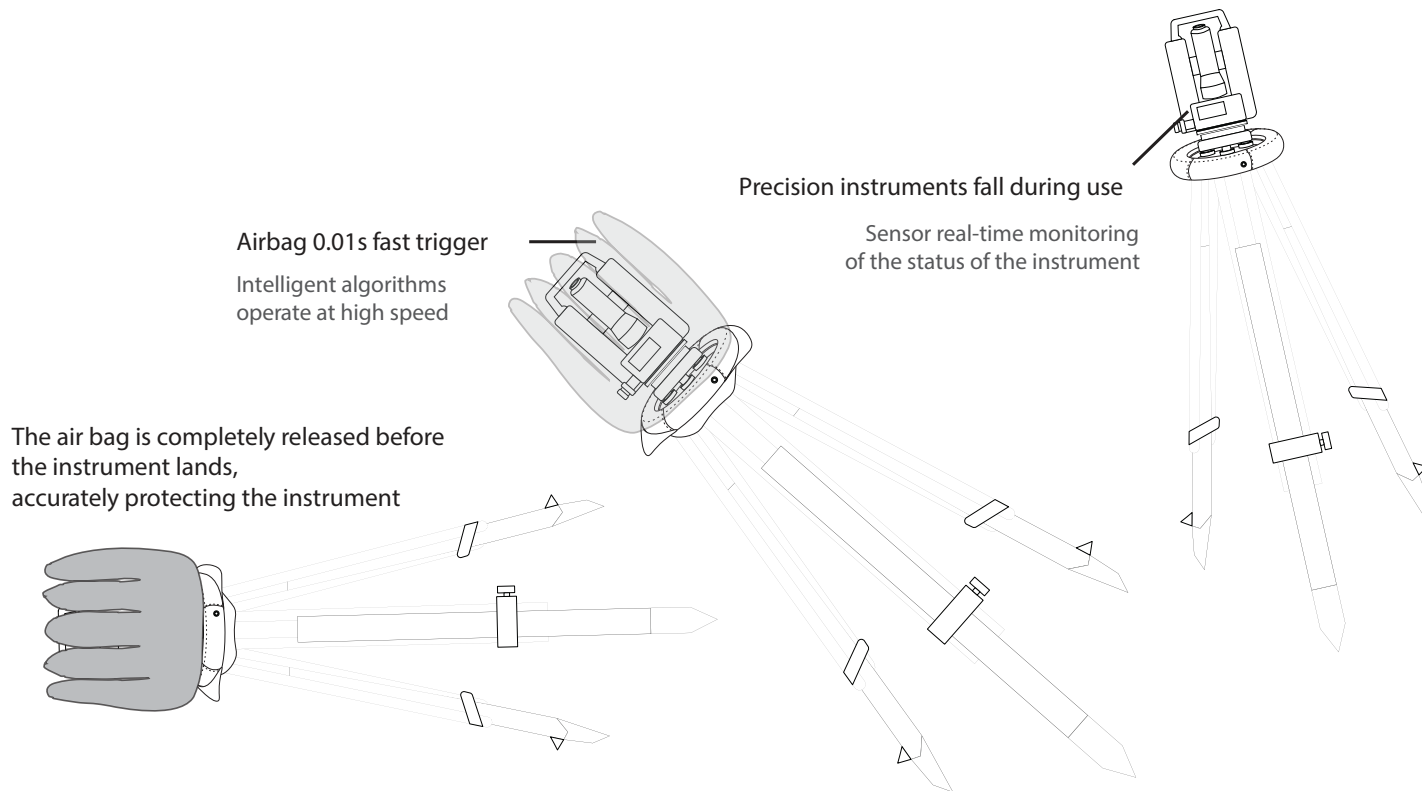
Chip motherboard

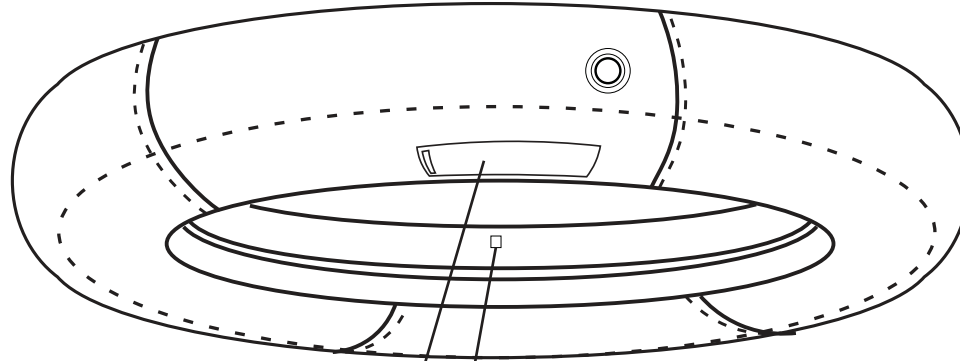


Switch, indicator light

Battery : 2pcs  
18650 Battery 3.7 V  
@3500mAh



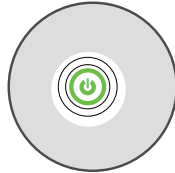




\*Battery compartment  
Battery : 2pcs 18650  
Battery 3.7 V @ 3500 mAh

\*Detection sensor:  
Detect whether the device is mounted on a tripod sensor,  
only after the installation of the tripod,  
the device can work properly

## Indicator Light Description :



**Green Light is always on:**

Normal operation of the equipment, the Power is Sufficient

Sicher Error Codes

LED

Sound

Trigger/Gas

Red and Yellow Alternate

Continues Beep

Interlock Error

Yellow

Fast Continues Beep


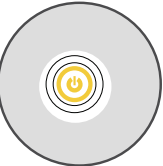

Battery Low

RED

Dual-Tone

Sensor/System Error

Yellow

	Sicher Error Codes	LED	Sound
	Battery Low	RED	Beep Dual-Tone
	Interlock Error Sensor/System Error	Yellow	Fast Continues Beep
	Trigger/Gas	Red & Yellow Alternate	Continues Beep

Leveling device



Longitude and Latitude



Longitude and Latitude



Electrical Specification: 2pcs 18650 Battery 3.7V @ 3500mAh

Operating Voltage: 3.7V

Operating Current Stand by: <100mA

Normal Operating Current: 300-250mA

Pulse Current: 2000mA @4-2ms

# Notes



.....

.....

.....

.....

.....

.....

.....

.....





**SICHER**  
PROTECTIONS LTD.

Developed and Designed by Sicher  
All rights reserved by Sicher Building Model Makers LLC  
[www.sicher-protections.com](http://www.sicher-protections.com)  
[office@sicher-protections.com](mailto:office@sicher-protections.com)